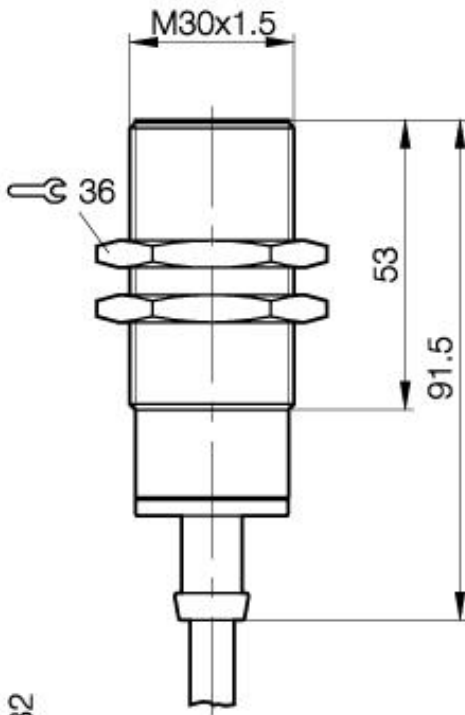


**Inductive Sensors  
BES 516-120-SA2  
M30x1.5 x 87  
Complementary  
Sn=10mm  
shielded  
temperature rated**



PX0832

**Common Data**

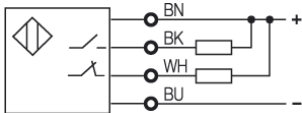
Mounting in steel	shielded
Rated operating distance Sn	10mm
Assured operating distance Sa	0...8.0mm
Repeatability R	≤ 5%
Hysteresis	≤ 15%
Function indication	yes
Ambient temperature range	-25...+120°C
Pollution Degree	3
Time delay before availability	≤ 10ms
Particular characteristics	temperature rated

**Mechanical Data**

Measurements BxHxT or DxT	M30x1.5 x 87mm
Housing material	Nickel plated brass
Material of sensing face	PBTP
Degree of protection	IP67IP
Connection	Cable
Cable type	SIHF
Schock: Halbsinus, 30 gn, 11ms	
Vibration: 55 Hz, 1mm Amplitude, 3 x 30 Minutes	

**Electrical Data**

Current type	DC
Wiring	4-Wire
switching function	Complementary
Output signal	NPN
Rated operational voltage	24 DCV
Rated operational current	400mA
Supply voltage	10...30 DCV
Ripple	≤ 15%
max. switching frequency	300Hz
No-load supply current	≤ 20/≤ 20mA
Off-state current	≤ 80µA
Voltage drop	≤ 1.5/-V
Short circuit protection	no
Protected against polarity reversal	yes



Utilization categories  
Insulation class

DC 13

Datasheet number:

Definitions see general catalog.  
If not otherwise noted, ratings according to  
IEC 60947-5-2 (DIN EN60947-5-2)

Balluff GmbH  
Schurwaldstrasse 9  
73765 Neuhausen a.d.F.  
Phone (07158) 173-0 Fax (07158) 5010

Datenblatt by CD-ROM - 04/2007

**BALLUFF**  
sensors worldwide